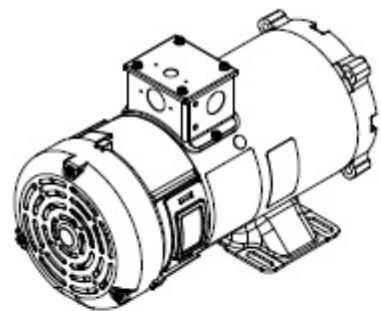
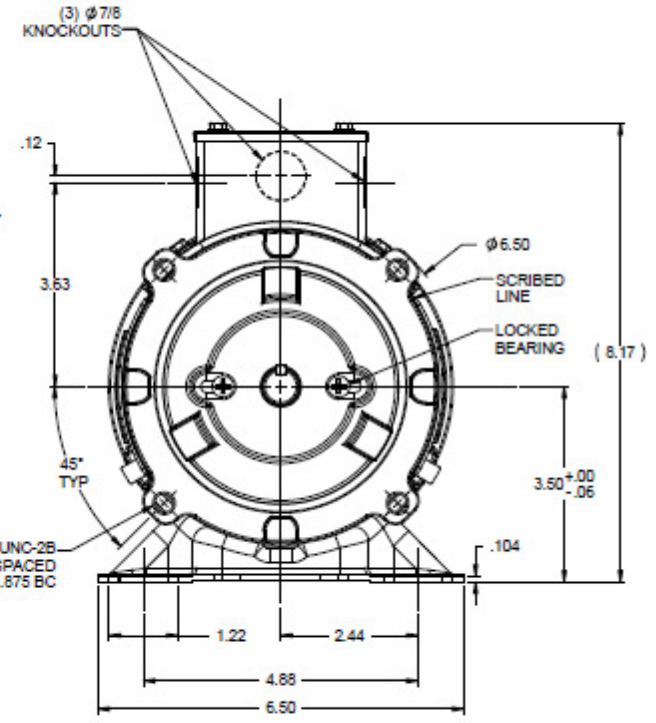
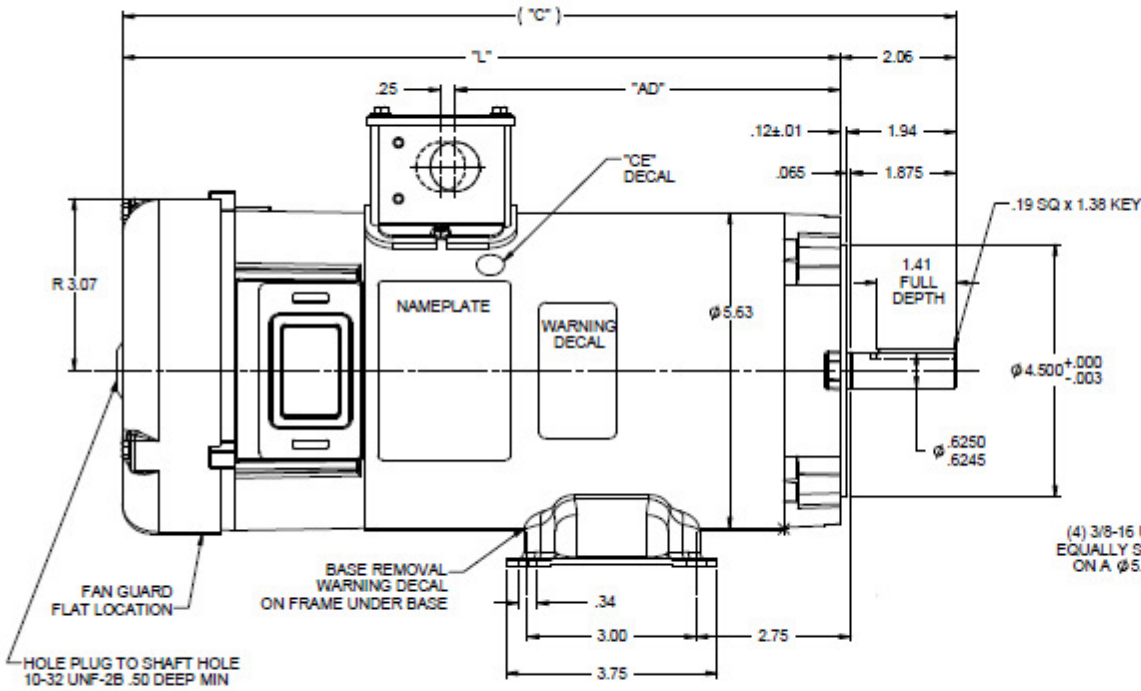


IPC PROPRIETARY AND CONFIDENTIAL INFORMATION
 This document is the property of IPSCAL BELOIT CORPORATION (IPSC) including its subsidiaries and divisions and contains proprietary information of IPSC. The document is loaned to the recipient under the condition that the information contained therein shall be retained in confidence and shall not be disclosed or otherwise used for any purpose other than that for which it was loaned without the express written consent of IPSC, and that the information shall be used by the recipient only as approved expressly by IPSC. This document shall be returned to IPSC upon demand. The document may be subject to other restrictions under U.S. export control laws and regulations.



- NOTES:
 1) MAXIMUM FACE RUNOUT .004 T.I.R.
 2) MAXIMUM PILOT ECCENTRICITY .004 T.I.R.
 3) PERMISSIBLE SHAFT RUNOUT .002 T.I.R.
 4) GASKETS THROUGHOUT

CATALOG No.	CUST. MODEL No.	H.P.	VOLTS	RPM	"C"	"L"	"AD"
109192.00	LM90T100	1	90	1750	14.82	12.76	6.85
109193.00	LM180T100	1	180	1750	14.82	12.76	6.85
109194.00	LM180T150	1 1/2	180	1750	16.82	14.76	8.85

NO.	REVISION	BY & DATE	CHK	ANG	FINISH	SIZE	DRAWING NO.	REV
03	ADDED 109193.00 TO TABLE PER MU95147	IPG 4/8/2010	SK	x	± 1	B	031975	03
02	ADDED TABLE PER 109194.00. ADDED CE DECAL	IPG 2/26/2012	SK	xxx	± .03	B	031975	02
01	ADDED NOTE ABOUT FAN GUARD FLAT LOCATION, ISAAC	IPG 12/11/2009	xxx	xxx	± .005	B	031975	01
00	09-4813		xxxx	xxx	± .0005	B	031975	00

TITLE: OUTLINE
 48 FRAME DC - S56C MOUNT
 MTL: 109192.00
 FIN: 109192.00
 DRAWN: SAD 12/2/09
 CHK: SK 12/2/09
 APPR:
 SCALE: 1/2
 REF: 133OUTLINE-09
 PMP: 109192.00
 PAGE: 03 OF 03

Dart Model LM180T150